

Gotham Architectural Downlighting  
LED Downlights

## 4" Incito Cylinder

Solid-State Lighting  
(US and International Patents Pending)



FEATURES

### INTENDED USE

Achieve the lowest installed power density and operating costs while achieving every layer of light via the optimized general illumination distributions from the EVO family, and the high centerbeam accent layers from the highly flexible Incito family. The EVO and Incito families maintain consistent luminous apertures, dimming characteristics, and color quality to ensure the blending of families in common spaces renders an unparalleled, tailored visual experience.

### OPTICAL SYSTEM

- Eleven optimized distribution patterns allow designers to achieve tailored objectives.
- Self-flanged, semi-specular or matte-diffuse, metal-clad lower reflector utilized in combination with highly transmissive lens.
- Patented Bounding Ray™ Optical Principle design (U.S. Patent No. 5,800,050) provides smooth and continuous transition from lensed source to the top of the reflector down to the bottom of the reflector.
- Field interchangeable optics.

### HOUSING

- Heavy-gauge aluminum housing with top deck for clean appearance. Provided with safety chain on ceiling and pendant units, allowing hands-free wiring connections. Textured polyester powder paint finish.

### MOUNTING

- Ceiling mount provided with mounting pattern for direct installation to 4" octagonal or square junction box.
- Wall mount provided with mounting pattern for direct installation to 4" octagonal or square junction box.

- EDXB driver includes a 3-foot DMX signal cable when ordered with FCM or WM mounting option. Driver includes a 10-foot DMX signal cable when ordered with PM or ACC mounting option.
- Pendant-mount entry provided for 3/8" National Pipe Thread stem. Additional pendant options available (see Accessories). Pendant-mount includes 10 feet of wires.

### ELECTRICAL SYSTEM

- Solid-state LED light engine available in 2700 K, 3000 K, 3500 K or 4000 K color temperatures. CRI: 85 typical.
- eldoLED ecoDrive 0-10V driver available with 10% dimming level.
- eldoLED ecoDrive 0-10V driver available with 1% dimming level.
- eldoLED SOLOdrive 0-10V driver available with <1% dimming level.
- eldoLED SOLOdrive DALI driver available with <1% dimming level.
- eldoLED POWERdrive DMX with RDM (remote device management) available with <1% dimming level.
- >70% lumen maintenance at 60,000 hours
- Tested in accordance with LM-79 and LM-80 standards

### LISTINGS

- Fixtures are CSA certified to meet US and Canadian standards. Pendant Mount, Surface Mount, and Flush Ceiling Mount are suitable for wet location; covered ceiling. Wall Mount versions are wet location listed.

### WARRANTY

- 5-year limited warranty. Complete warranty terms located at: [www.acuitybrands.com/CustomerResources/Terms\\_and\\_conditions.aspx](http://www.acuitybrands.com/CustomerResources/Terms_and_conditions.aspx)

Note: Actual performance may differ as a result of end user environment and application. All values are design or typical values, measured under laboratory conditions at 25 °C.



A+ Capable options indicated by this color background.

### EXAMPLE: ICO CYL 30/20 4AR LSS 30D 120 EZB FCM DWHG

Series	Color temperature	Nominal lumen values	Aperture/Trim color	Finish	Beam	Voltage
ICO CYL	27/ 2700 K	<b>05</b> 500 lumens <b>20</b> 2000 lumens	<b>4AR</b> Clear	<b>LSS</b> Semi-specular	<b>10D</b> <sup>2</sup> 10° beam angle	<b>MVOLT</b> <b>120</b> <b>277</b>
	30/ 3000 K	<b>07</b> 750 lumens <b>25</b> 2500 lumens	<b>4PR</b> Pewter		<b>15D</b> 15° beam angle	
	35/ 3500 K	<b>10</b> 1000 lumens <b>30</b> 3000 lumens	<b>4WTR</b> Wheat	<b>LD</b> Matte diffuse	<b>20D</b> 20° beam angle	
	40/ 4000 K	<b>12</b> 1250 lumens <b>35</b> 3500 lumens	<b>4GR</b> Gold		<b>25D</b> 25° beam angle	
		<b>15</b> 1500 lumens	<b>4WR</b> <sup>1</sup> White		<b>30D</b> 30° beam angle	
			<b>4BR</b> <sup>1</sup> Black		<b>35D</b> 35° beam angle	

Driver	Mounting	Options
<b>EZ10</b> eldoLED 0-10V ECOdrive. Linear dimming to 10% min.	<b>FCM</b> Ceiling mount	<b>NPS80EZ</b> <sup>7</sup> nLight® dimming pack controls 0-10V eldoLED drivers.
<b>EZ1</b> eldoLED 0-10V ECOdrive. Linear dimming to 1% min.	<b>WM</b> <sup>4</sup> Wall mount	<b>NPS80EZER</b> <sup>7,8</sup> nLight® dimming pack controls 0-10V eldoLED drivers. ER controls fixtures on emergency circuit.
<b>EZB</b> eldoLED 0-10V SOLOdrive. Logarithmic dimming to <1%.	<b>PM</b> <sup>5</sup> Pendant 3/8" thread mount	<b>CRI90</b> High CRI (90+)
<b>EDAB</b> eldoLED SOLOdrive DALI. Logarithmic dimming to <1%.	<b>ACC</b> <sup>6</sup> 10ft air-craft cable and cord mount	<b>LTVI</b> <sup>9</sup> Lutron ECOSystem interface for compatibility with 0-10V EZ10, EZ1 or EZB.
<b>EDXB</b> eldoLED POWERdrive DMX with RDM (remote device management). Square Law dimming to <1%. Includes termination resistor. Refer to <a href="#">DMXR Manual</a> .	<b>ACC180</b> <sup>6</sup> 15ft air-craft cable and cord mount	<b>RRL</b> RELOC®-ready luminaire connectors enable a simple and consistent factory installed option across all ABL luminaire brands. Refer to <a href="#">RRL</a> for complete nomenclature.
<b>EXA1</b> XPoint Wireless, eldoLED 0-10V ECOdrive. Linear dimming to 1%. Refer to XPoint tech sheet.		<b>Architectural Colors - Powder Paint</b> <sup>10</sup>
<b>EXAB</b> <sup>3</sup> XPoint Wireless, eldoLED 0-10V SOLOdrive. Logarithmic dimming to <1%. Refer to XPoint tech sheet.		<b>DWHG</b> Matte white (standard)
		<b>DDB</b> Dark bronze
		<b>DBL</b> Black
		<b>DWH</b> Gloss white
		<b>DMB</b> Medium bronze
		<b>DNA</b> Natural aluminum
		<b>DSS</b> Sandstone
		<b>DGC</b> Charcoal grey
		<b>DTC</b> Tennis green
		<b>DBR</b> Bright red
		<b>DSB</b> Steel blue

Continued on page 2

ORDERING INFORMATION

# 4" INCITO CYLINDER

Open Cylinder  
Solid-State Lighting

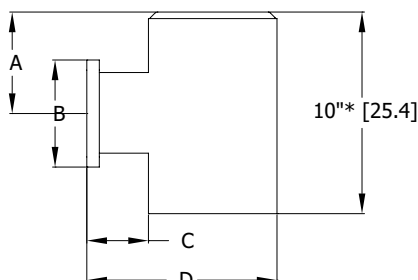
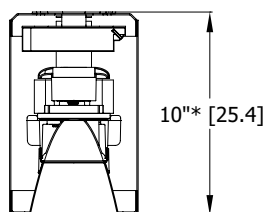


ORDERING INFORMATION

ACCESSORIES order as separate catalog numbers (shipped separately)			
<b>CYS<sup>11</sup></b>	3/8" stem and canopy with 5° "hang straight" swivel	<b>CRSX<sup>11</sup></b>	3/8" stem and canopy with 45° swivel. Use this nomenclature when ordering EDXB driver
<b>CRS<sup>11</sup></b>	3/8" stem and canopy with 45° swivel	<b>SDT 347/277/120 395VA AD<sup>12</sup></b>	347V Step-down transformer
<b>CYSX<sup>11</sup></b>	3/8" stem and canopy with 5° "hang straight" swivel. Use this nomenclature when ordering EDXB driver	<b>OPTC4<sup>13</sup></b>	Additional optics for field installation.

DIMENSIONAL DATA

All dimensions are inches (centimeters) unless otherwise noted.



\*Add 2 inches to fixture height if output is 2500 lumens and above, or when ordered with the EDXB driver option.

- Ceiling Mount (FCM)
- Wall Mount (WM)
- Pendant Mount (PM)
- Aircraft Cable (ACC)

Wall Mount Side View

- A: 5 [12.8]
- B: 5-1/4 [13.5]
- C: 3 [7.8]
- D: 9-1/2 [24.0]

Reflector Aperture: 4-5/16 [11]  
Housing Diameter: 6-3/8 [16.2]  
\*Wet Location Listed\*

ELECTRICAL

WATTAGE CONSUMPTION MATRIX	
NOMINAL DELIVERED LUMENS	Wattage
3500	36 W
3000	39 W
2500	33 W
2000	23 W
1500	17 W
1250	12 W
1000	10 W
750	7 W
500	6 W

nLight® Control Accessories:			
Order as separate catalog number. Visit <a href="http://www.acuitybrands.com/products/controls/nlight">www.acuitybrands.com/products/controls/nlight</a> for complete listing of nLight controls.			
<b>WallPod stations</b>	<b>Model number</b>	<b>Occupancy sensors</b>	<b>Model number</b>
On/Off	nPODM [color]	Small motion 360°, ceiling (PIR / dual tech)	nCM 9 / nCM PDT 9
On/Off & Raise/Lower	nPODM DX [color]	Large motion 360°, ceiling (PIR / dual tech)	nCM 10 / nCM PDT 10
Graphic Touchscreen	nPOD GFX [color]	Wide view (PIR / dual tech)	nWV 16 / nWV PDT 16
<b>Photocell controls</b>	<b>Model number</b>	Wall Switch w/ Raise/Lower (PIR / dual tech)	nWSX LV DX / nWSX PDT LV DX
On/Off & Dimming	nCM ADCX	<b>Cat-5 cables (plenum rated)</b>	<b>Model number</b>
		10', CAT5 10FT	CAT5 10FT J1
		15', CAT5 15FT	CAT5 15FT J1

NOTES

### ORDERING NOTES

- Not available in finishes.
- Only available 1500lm and below.
- 1500lm and above only.
- Access panel (supplied by others) recommended for use with nLight®
- Must specify stem and canopy. See Accessories.
- White cord with white housings. All others black cord.
- Interface remote mounted.
- For use with generator supply EM power. Will require an emergency hot feed and normal hot feed.
- Shipped installed from the factory.
- Additional architectural colors available; see [www.lithonia.com/archcolors](http://www.lithonia.com/archcolors).
- Color and length of stem must be specified (from 6" to 240" in even increments in maximum sections of 48"). Ex.: CYS06 DWHG. Ceiling attachment for interior use. Consult factory for exterior use. Wires supplied by others.
- Transformer must be field-installed to an accessible remote-mounted junction box.
- Must specify desired optical distribution from available options in "Beam" option column in the ordering tree. i.e. OPTC4 20D



CONSULT WWW.GOTHAMLIGHTING.COM FOR PHOTOMETRY

**Choose Wall Controls.**

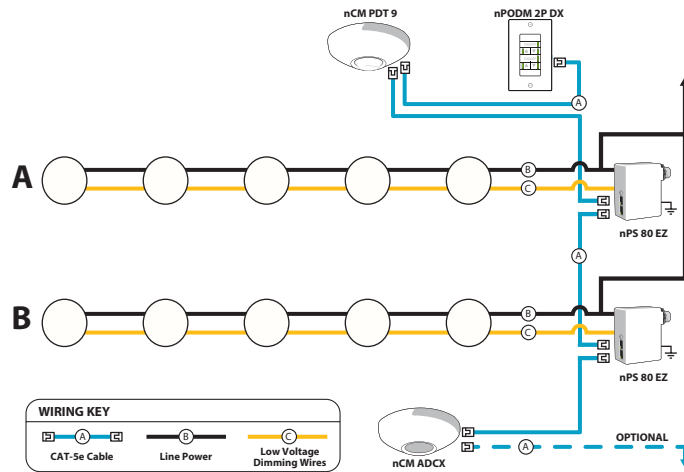
nLIGHT offers multiple styles of wall controls – each with varying features and user experience.



**Push-Button WallPod**  
Traditional tactile buttons and LED user feedback



**Graphic WallPod**  
Full color touch screen provides a sophisticated look and feel



**EXAMPLE**

Group Fixture Control\*

\*Application diagram applies for fixtures with eldoLED drivers only.

**nPS 80 EZ** Dimming/Control Pack (qty 2 required)

**nPODM 2P DX** Dual On/Off/Dim Push-Button WallPod

**nCM ADCX** Daylight Sensor with Automatic Dimming Control

**nCM PDT 9** Dual Technology Occupancy Sensor

**Description:** This design provides a dual on/off/dim wall station that enables manual control of the fixtures in Row A and Row B separately. Additionally, a daylight harvesting sensor is provided so the lights in row B can be configured to dim automatically when daylight is available. An occupancy sensor turns off all lights when the space is vacant.

**A+ Capable Luminaire**

This item is an A+ capable luminaire, which has been designed and tested to provide consistent color appearance and out-of-the-box control compatibility with simple commissioning.

- All configurations of this luminaire meet the Acuity Brands' specification for chromatic consistency
- This luminaire is part of an A+ Certified solution for nLight® control networks when ordered with drivers marked by a shaded background\*
- This luminaire is part of an A+ Certified solution for nLight control networks, providing advanced control functionality at the luminaire level, when selection includes driver and control options marked by a shaded background\*

To learn more about A+, visit [www.acuitybrands.com/aplus](http://www.acuitybrands.com/aplus).

\*See ordering tree for details